

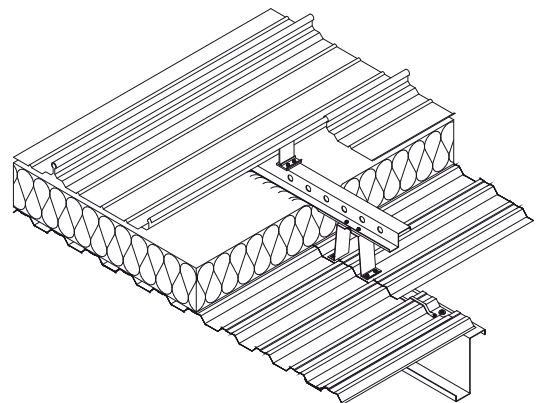


AP65ZS Standing Seam

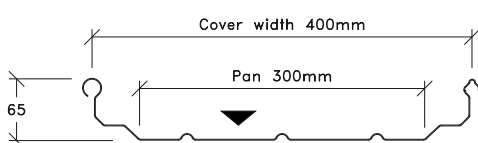
100% Non-Combustible Construction

- Available in aluminium and steel
- Finishes available a natural mill-finish aluminium, stucco-embossed aluminium, Armacoil™HDP and APL PUF ARS
- Due to special engineering design, system is proven NOT to suffer from the common problem of "halter-rash"
- Ultra-secure details at ridge and eaves to ensure construction
- AP 22HWR walk-on liner assists in ease of installation
- Suitable for PV-mounting
- Can be installed on slopes as low as 1.5 degrees and self-curve to 40m radius (aluminium)
- 400mm cover width as standard with 500mm available upon request
- Site manufacture of long lengths up to 125m which removes the need for end laps
- Up to 40 year warranty available on both the coating and the substrate, including marine environments
- Can be installed as part of the non-combustible APL EcoClad™ Energi Systems
- U-values down to 0.10/W/m²/°C
- Available as acoustic SoundRoof™ assembly with perforated liner

Typical APL non-combustible ZipSeam™ standing seam assembly



AP 65 ZS 400



AP 65 ZS 500

