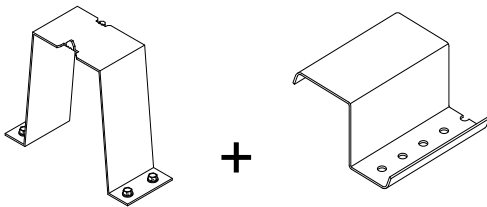




APL Tritherm™ Support Grid

- Roll-formed structural grade steel
- RWB bracket spacings of upto 1.8m (subject to load)
- Specific over-roof brackets available to ensure quick installation and suitable for asbestos roofs
- Web-perforated "Z" rail to improve air-circulation
- PV-support framing clips available
- Can support cantilever of +1500mm

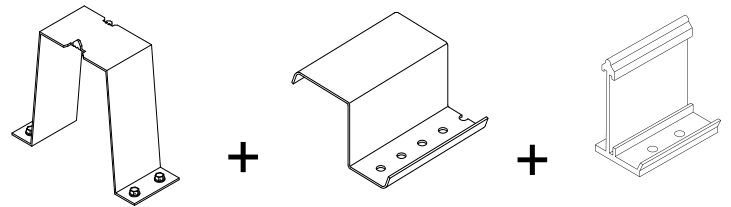
APL Tritherm™ Pierce Fix Roof Components



RWB Roof Bracket

APZ Mini Rail

APL Tritherm™ Standing Seam Components

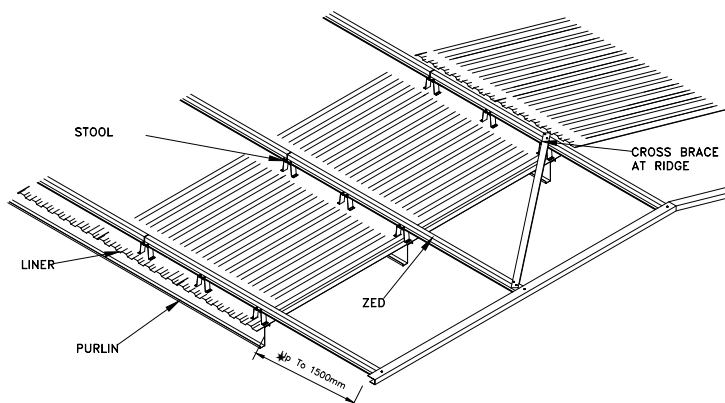


RWB Roof Bracket

APZ Mini Rail

Halter

APL Tritherm™ +1,500mm Cantilever



Typical APL Tritherm™ Roof Assembly

