



APL Zip Seam™

APL
ARCHITECTURAL PROFILES



An engineered standing-seam system

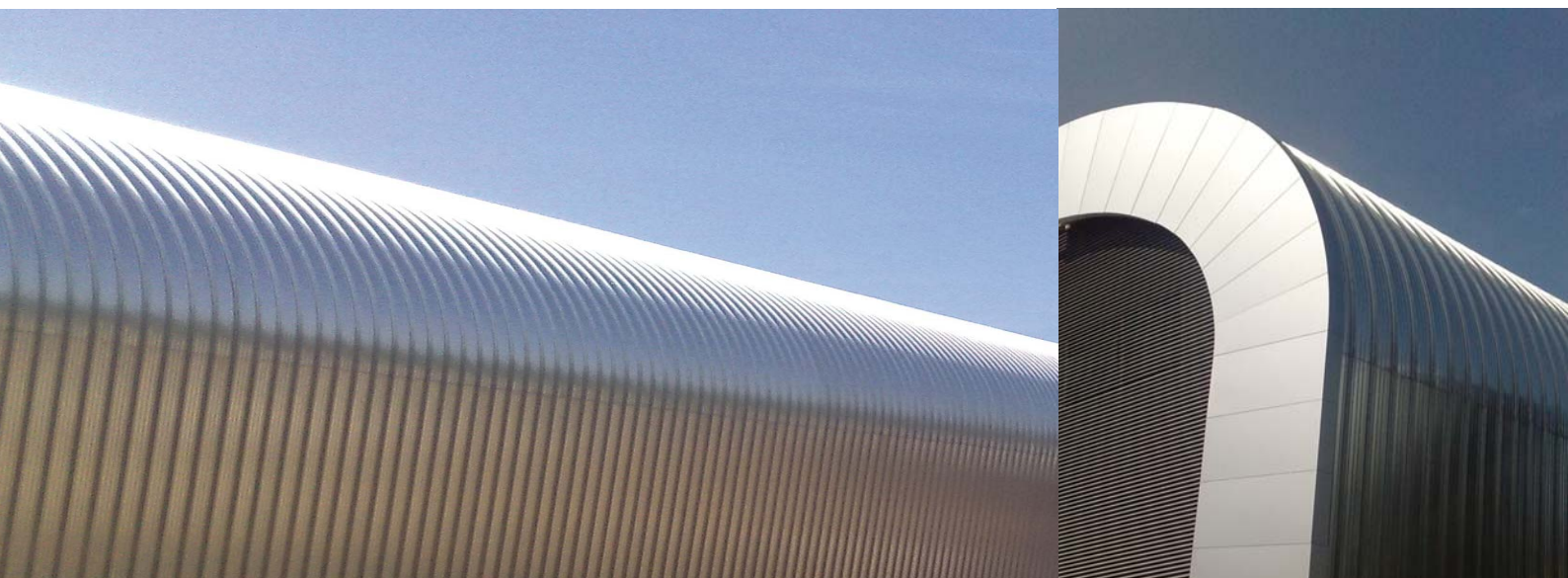




APL Zipseam™

APL Zip Seam™ provides a fully 'mechanically seamed' roofing system. With a range of bespoke components and detailing, it delivers the answer to all the 'difficult' questions. Available in a 400mm and 500mm cover width, it is probably the most cost effective standing seam system on the market.

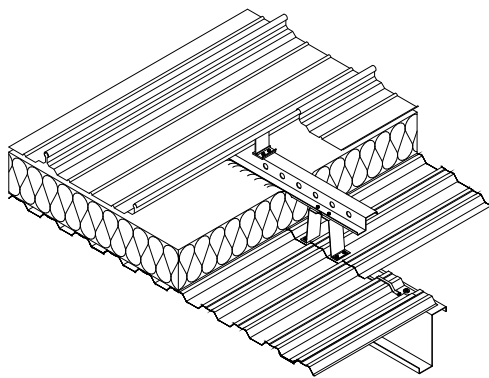
- Available in aluminium and steel
- Available in mill finish aluminium, stucco embossed aluminium, Armacoil™ (2-layer PVDF coating system), ArmacoilPLUS™ (3-layer PVDF coating system), PUF, PUF ARS and LG finishes
- Due to engineering, our system is proven NOT to suffer from the common problem of "halter-rash"
- Ultra-secure details at ridge and eaves to ensure construction
- AP 22HWR walk-on liner assists in ease of installation
- Can be installed on slopes as low as 1.5 degrees
- Site manufacture of long lengths up to 135m which removes the need for end laps
- Up to 40 year warranty available on both the coating and the substrate, including for marine environments
- 500mm cover width option provides extremely cost effective construction
- Can be installed as part of the non-combustible APL EcoClad™ Energi Systems.



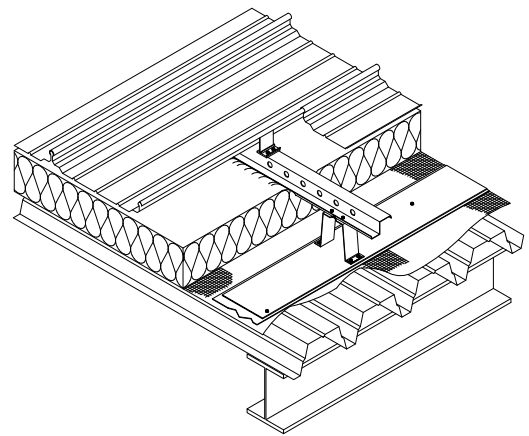
Tel: 0118 927 2424 | Email: info@archprof.co.uk



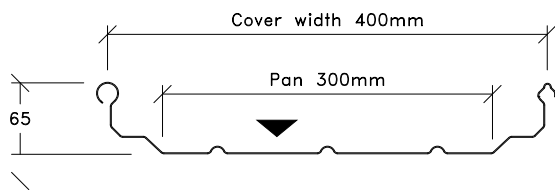
Typical APL non-combustible ZipSeam™ standing seam assembly



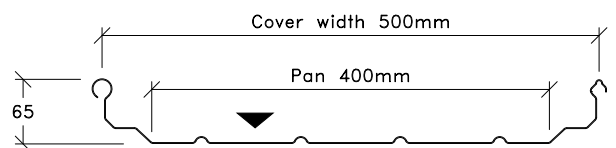
Typical APL non-combustible ZipSeam™ standing seam acoustic structural deck assembly



AP 65 ZS 400



AP 65 ZS 500



Who are Architectural Profiles?



- Specialists in complete NON-COMBUSTIBLE “through-wall” and “through-roof” systems
- Established for over 35 years
- All systems and constructions fire-tested
- Specified by the UK’s leading architects
- Chosen by the UK’s leading contractors and installers
- Provider of Cladshield - a 25-year fully-installed system warranty
- 55,000 sqft UK manufacturing facility
- Established members of the MCRMA & CWCT
- ISO:9001 & ISO:14001 registered

CUSTOM BESPOKE PANELS & PROFILES • STRONGBAK • LOUVRE PROFILE & LIVE LOUVRES • RAINSCREEN & FLAT PANELS • WALL & ROOF PROFILES • APL SNAPLOC • STANDING SEAM • SOFFITS • ARCHITECTURAL FLASHINGS • DECKING



Non-combustible system



25 year fully installed system warranty



Official partner of ALUCOBOND

Tel: 0118 927 2424 | Email: info@archprof.co.uk | www.archprof.co.uk

Architectural Profiles Limited 53 Crockhamwell Road, Woodley, Reading, Berkshire, RG5 3JP

All systems and products are subject to change. Terms and Conditions available upon request. v3

Established 35 years, all manufactured by us in the UK, and proud of it!

