



APL StrongBak™

APL
ARCHITECTURAL PROFILES



**Long Span Secret-Fix Non-Combustible
Structural Cladding System**



Spans of UPTO 10m with NO secondary steelwork



StrongBak™

A long span non-combustible structural cladding system based upon Kasset construction principles

Structural Performance

- Spans of up to 10m between supports
- Installed column-to-column to avoid floor deflection problems of other SFS systems
- PI-backed structural, thermal and acoustic design
- Integrated IFS sections where required

Fire Performance

- 4-hour fire resistance easily achieved
- Completely non-combustible components
- No toxic smoke produced in event of fire

Works with ALL facade types

- Metal profiles
- Metal rainscreen
- Terracotta & Brick
- Brick & Render

Quick Installation

- Installation rate of 750-1,000m² per week vs 200-300m² for "stick built" SFS
- Installed from scissor lift/mast climber so NOT crane dependant
- Leads to significantly reduced programme times

Works with ALL facade types



BRICK & TERRACOTTA ON STRONGBAK™



PROFILE ON STRONGBAK™



PANELS ON STRONGBAK™

Tel: 0118 927 2424 | Email: info@archprof.co.uk

Internal Quality Finishes and NO visible fixings



Internal Finish

- Various finishes available in a range of colours
- Ultra hygiene rating available
- NO projecting or visible fixings
- Essential for health & safety requirements

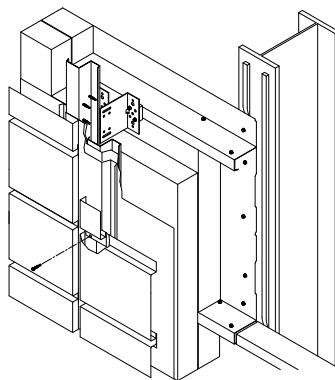
Thermal Benefits

- Low U-values as standard, up to 0.11w/m^2
- Low air leakage of $2.71\text{m}^3/\text{h/m}^2$

Acoustic Performance

- Meets BB93 requirements as standard
- Perforated options available to increase internal sound absorption

Typical StrongBak Assembly



PROVEN

over more than
30 years

PROVEN

to save 40% vs mineral
wool composite panel
alternatives

PLUS

Prelims savings
due to “closing in”
building quickly

A1-Rated NON-COMBUSTIBLE as standard



Who are Architectural Profiles?



- Specialists in complete NON-COMBUSTIBLE “through-wall” and “through-roof” systems
- Established for 40 years
- All systems and constructions fire-tested
- Specified by the UK’s leading Architects and Designers
- Chosen by the UK’s leading contractors and installers
- Provider of Cladshield - a 25-year fully-installed system warranty
- 55,000 sqft UK manufacturing facility
- Established members of the MCRMA & CWCT
- ISO:9001 & ISO:14001 registered

CUSTOM BESPOKE PANELS & PROFILES • STRONGBAK • MINERAL WOOL COMPOSITE ROOF & WALL PANELS
 LOUVRE PROFILE & LIVE LOUVRES • RAINSCREEN & FLAT PANELS • WALL & ROOF PROFILES • APL SNAPLOC
 & STANDING SEAM • SOFFITS • ARCHITECTURAL FLASHINGS • FLAT ROOFS DECKINGS



Non-combustible system



25 year fully installed system warranty



Official partner of
ALUCOBOND

Tel: 0118 927 2424 | Email: info@archprof.co.uk | www.archprof.co.uk
Architectural Profiles Limited 53 Crockhamwell Road, Woodley, Reading, Berkshire, RG5 3JP
 All systems and products are subject to change. Terms and Conditions available upon request. v2

Established
 35 years, all
 manufactured
 by us in the UK,
 and proud of it!

