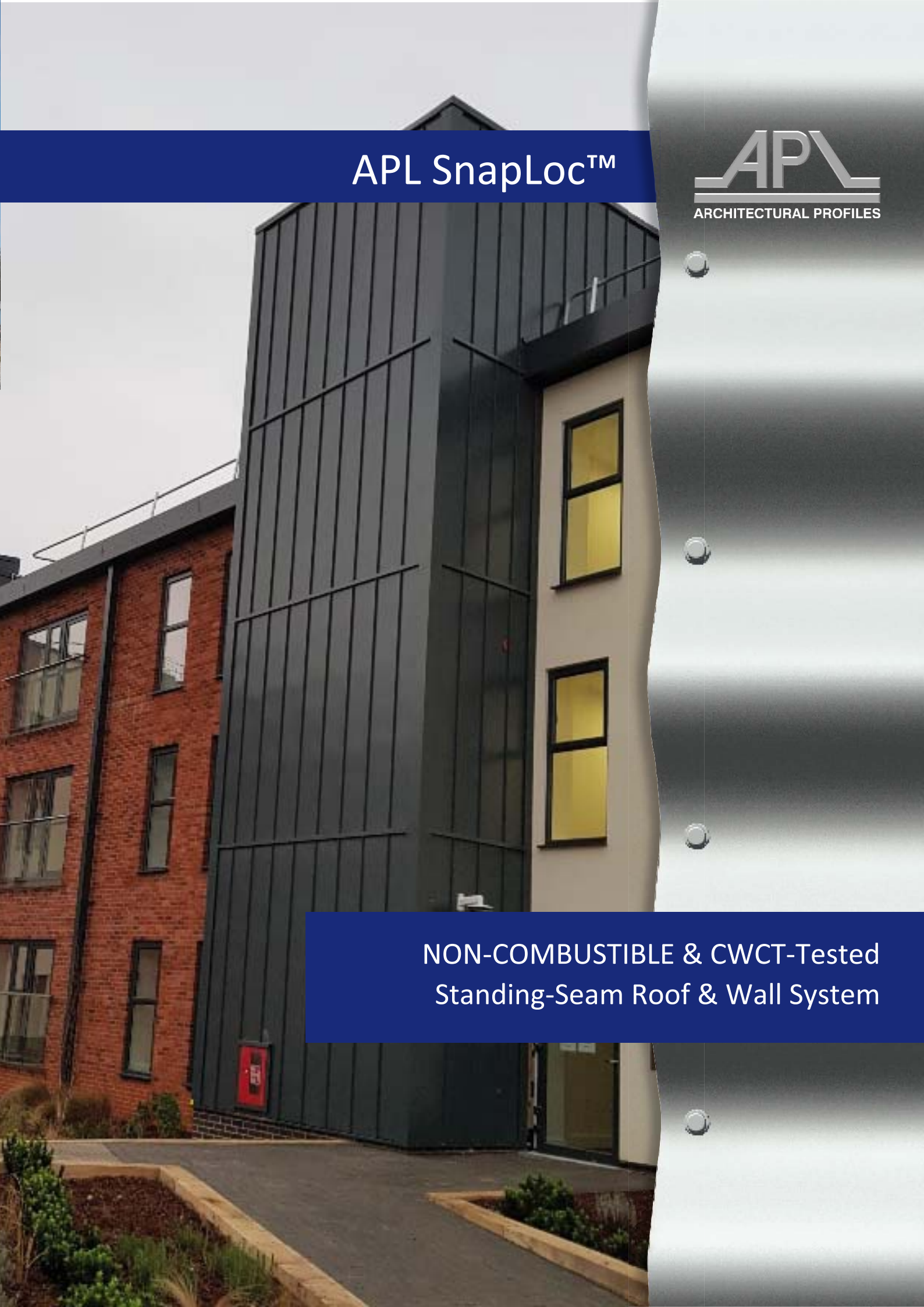


APL SnapLoc™

APL  
ARCHITECTURAL PROFILES

NON-COMBUSTIBLE & CWCT-Tested  
Standing-Seam Roof & Wall System





## APL SnapLoc™ Roof Cladding Traditional Flat Pan Standing Seam 100% Non-Combustible Construction

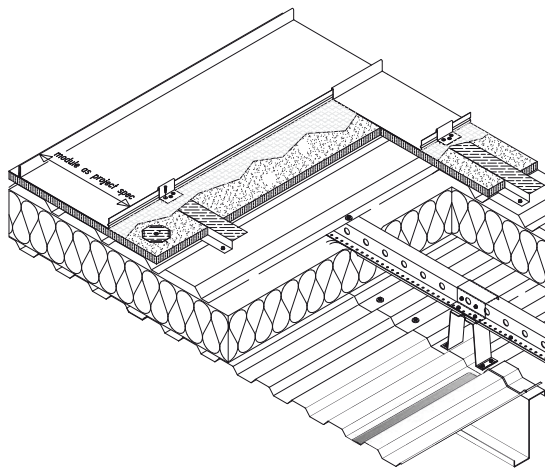
- Available in aluminium, steel and aluminium-zinc finish
- Available in natural mill finish aluminium, stucco embossed aluminium, Armacoil™ HDP (3-layer HDP coating system), APL PUF, PRISMA and LG finishes
- NO SEAMING required making installation a quicker and easier process - minimum 4° pitch as laid
- Ultra-secure details at ridge and eaves to ensure construction
- AP walk-on liner assists in ease of installation
- A1 fire-rated materials available as BS EN 13501-1
- Up to 40 year warranty available on both the coating and the substrate
- 450mm cover width option provides extremely cost effective construction
- 40mm height seam as standard, 28mm height option also available
- Can be installed as part of the non-combustible APL EcoClad™ Energi Systems.

APL SnapLoc™  
Module Width 250mm - 450mm

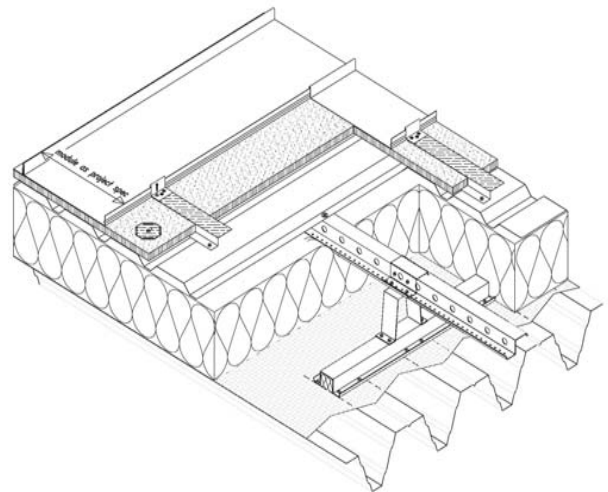




Typical APL non-combustible SnapLoc™ twin-skin roof assembly



Typical APL non-combustible SnapLoc™ roof assembly onto long-span decking





## APL SnapLoc™ Wall Cladding

### CWCT-Tested Traditional Flat Pan Standing Seam

#### 100% Non-Combustible Construction

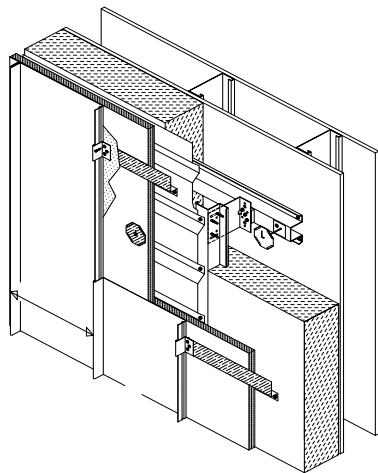
APL SnapLoc™  
Module Width 250mm - 450mm



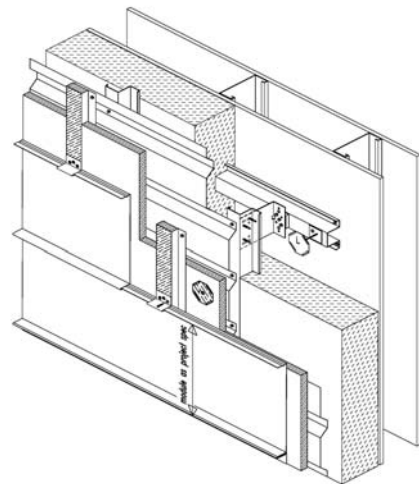
- Available in aluminium, steel and aluminium-zinc finish
- Available in natural mill-finish aluminium, stucco-embossed aluminium, Armacoil™ HDP (3-layer HDP coating system), APL PUF and PRISMA finishes
- NO SEAMING required making installation a quicker and easier process -
- Tested to CWCT standards
- Standard seam height of 40mm with vertical or horizontal lay (alternative seam of 28mm also available)
- System constructions available onto APL StrongBak™, cladding rails, SFS and blockwork
- A1 fire-rated materials available as BS EN 13501-1
- Up to 40 year warranty available on both the coating and the substrate
- 450mm cover width option provides extremely cost effective construction
- Can be installed as part of the non-combustible APL EcoClad™ Energi Systems



Typical APL non-combustible SnapLoc™ vertical wall assembly onto SFS



Typical APL non-combustible SnapLoc™ horizontal wall assembly onto rails



# Who are Architectural Profiles?



- Specialists in complete NON-COMBUSTIBLE “through-wall” and “through-roof” systems
- Established for 40 years
- Systems and constructions fire-tested
- Specified by the UK’s leading architects
- Chosen by the UK’s leading contractors and installers
- Provider of Cladshield - a 25-year fully-installed system warranty
- 55,000 sqft UK manufacturing facility
- Established members of the MCRMA & CWCT
- ISO:9001 & ISO:14001 registered

CUSTOM BESPOKE PANELS & PROFILES • STRONGBAK • MINERAL WOOL COMPOSITE ROOF & WALL PANELS  
LOUVRE PROFILE & LIVE LOUVRES • RAINSCREEN & FLAT PANELS • WALL & ROOF PROFILES • APL SNAPLOC  
& STANDING SEAM • SOFFITS • ARCHITECTURAL FLASHINGS • FLAT ROOFS DECKINGS



Non-combustible system



25 year fully installed system warranty



Tel: 0118 927 2424 | Email: [info@archprof.co.uk](mailto:info@archprof.co.uk) | [www.archprof.co.uk](http://www.archprof.co.uk)

Architectural Profiles Limited 53 Crockhamwell Road, Woodley, Reading, Berkshire, RG5 3JP

All systems and products are subject to change. Terms and Conditions available upon request. v4

Established  
35 years, all  
manufactured  
by us in the UK,  
and proud of it!

