



APL Roof Profiles + Systems

APL
ARCHITECTURAL PROFILES

Trapezoidal, Sinusoidal, Standing
Seam & APL SnapLoc™

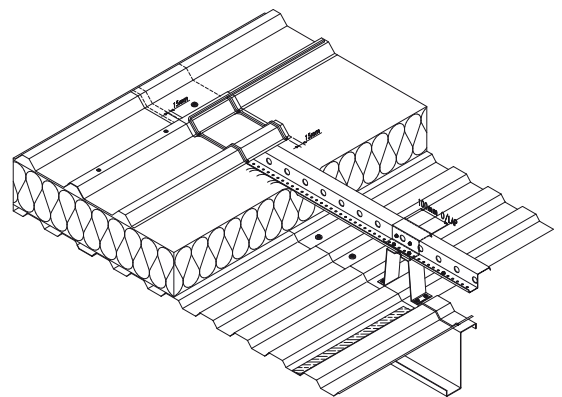


Trapezoidal Roof Profiles

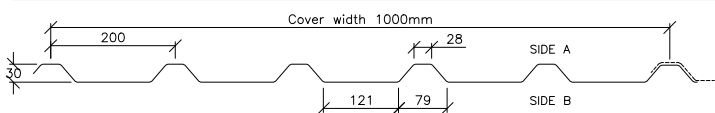
100% Non-Combustible Construction

- Available in aluminium, steel and Cor-ten
- Available in mill finish aluminium, stucco embossed aluminium, Armacoil™ HDP, PPC, Anodised, PUF, APL PUF ARS, PRISMA and LG finishes
- A1 fire-rated materials available as BS EN 13501-1
- Up to 40 year warranty available on both the coating and the substrate, including marine environments
- Can be installed on very low pitch slopes
- Part of the non-combustible APL EcoClad™ Energi Systems
- Designed to be used with the APL Tritherm Structural Spacer System
- Suitable for PV-mounting
- U-values down to 0.10/W/m²/°C
- Available as acoustic SoundRoof™ assembly with perforated liner

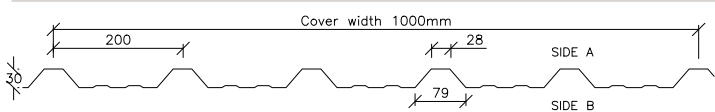
Typical Pierce Fix Roof Assembly



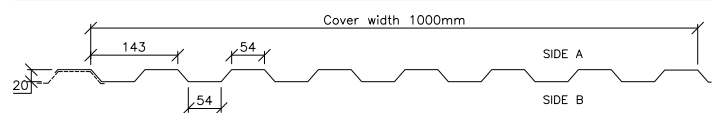
AP 31/1000R



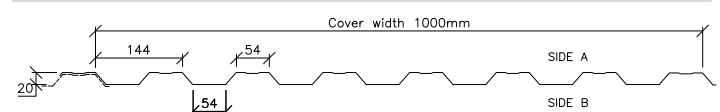
AP 31/1000RR



AP 22/50R



AP 22/50RR

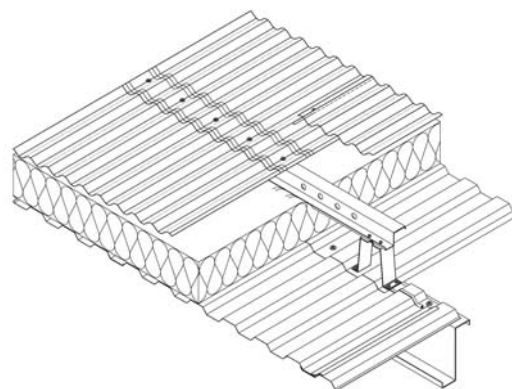




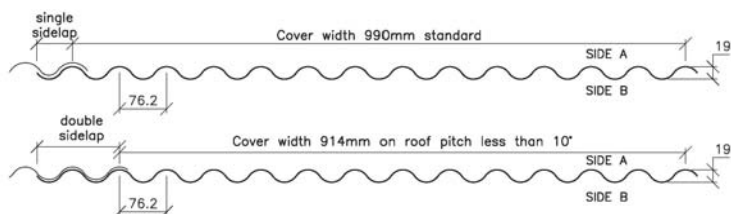
Sinusoidal & Half-Round Roof Profiles 100% Non-Combustible Construction

- Available in aluminium, steel and Cor-ten
- Finishes available in natural mill-finish aluminium, stucco-embossed aluminium, Armacoil™HDP, PPC, Anodised, APL PUF, ARS, PRISMA and LG finishes
- A1 fire-rated materials available as BS EN 13501-1
- Up to 40 year warranty available on both the coating and the substrate, including marine environments
- Can be installed on very low pitch slopes
- Suitable for PV-mounting
- Part of the non-combustible APL EcoClad™ Energi Systems
- Designed to be used with the APL Tritherm Structural Spacer System
- Available as acoustic SoundRoof™ assembly with perforated liner

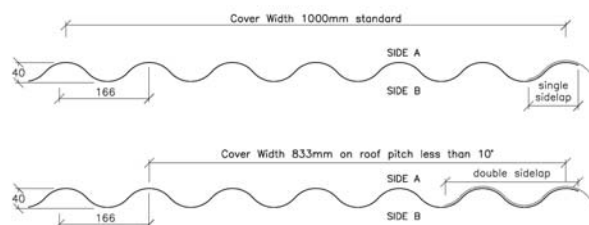
Typical Sinusoidal Roof Assembly



AP 18HR-R



AP 45HR-R



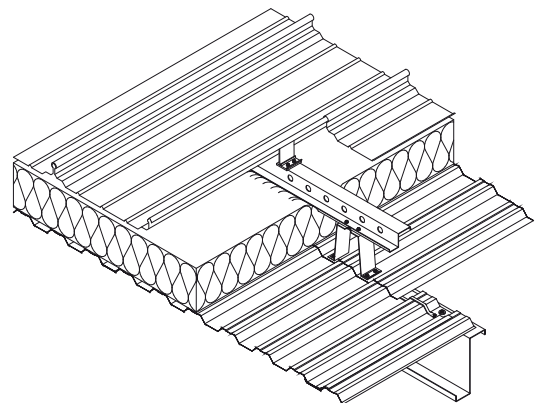


AP65ZS Standing Seam

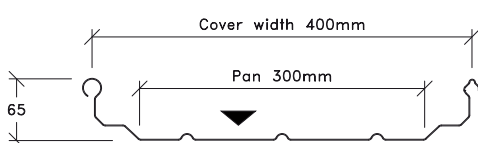
100% Non-Combustible Construction

- Available in aluminium and steel
- Finishes available a natural mill-finish aluminium, stucco-embossed aluminium, Armacoil™HDP and APL PUF ARS
- Due to special engineering design, system is proven NOT to suffer from the common problem of "halter-rash"
- Ultra-secure details at ridge and eaves to ensure construction
- AP 22HWR walk-on liner assists in ease of installation
- Suitable for PV-mounting
- Can be installed on slopes as low as 1.5 degrees and self-curve to 40m radius (aluminium)
- 400mm cover width as standard with 500mm available upon request
- Site manufacture of long lengths up to 125m which removes the need for end laps
- Up to 40 year warranty available on both the coating and the substrate, including marine environments
- Can be installed as part of the non-combustible APL EcoClad™ Energi Systems
- U-values down to 0.10/W/m²/°C
- Available as acoustic SoundRoof™ assembly with perforated liner

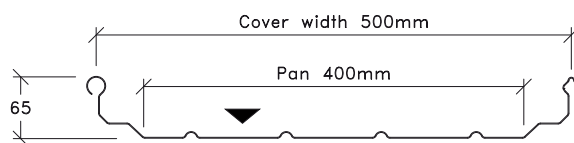
Typical APL non-combustible ZipSeam™ standing seam assembly



AP 65 ZS 400



AP 65 ZS 500



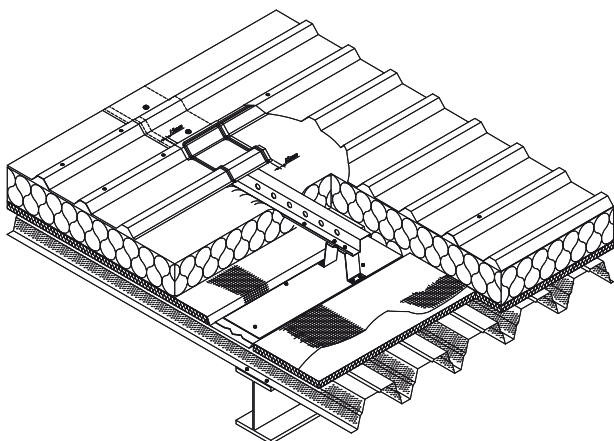


SoundRoof™ Acoustic Roof Assemblies

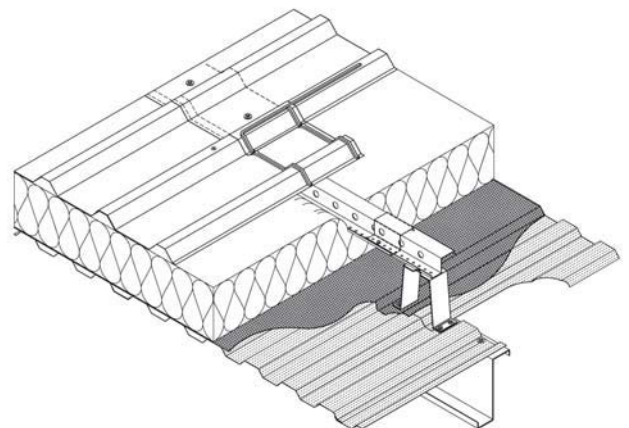
100% Non-Combustible Construction

- UKAS-tested sound reductions of up to 65 Rw dB
- Low frequency performance of 43 Rw dB at 125Hz
- Perforated options to improve sound absorption performance
- Fully non-combustible construction
- Fire resistance of up to 4 hours
- Available with all APL roofing profiles
- Up to 10m spans for ultra-clean internal appearance with no visible fixings when integrated as part of a StrongBak assembly
- Air tight construction as low as 1.0 m³/m².h

Typical APL Perforated Acoustic Structural Deck Assembly



Typical APL Acoustic Roof Assembly

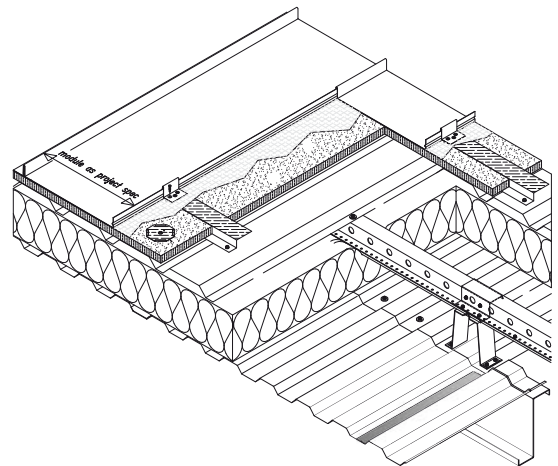




APL SnapLoc™ Traditional Flat Pan Standing Seam 100% Non-Combustible Construction

- Available in aluminium, steel and aluminium-zinc finish
- Available in natural mill finish aluminium, stucco embossed aluminium, Armacoil™ HDP (3-layer HDP coating system), APL PUF, PRISMA and LG finishes
- NO SEAMING required making installation a quicker and easier process - minimum 4° pitch as laid
- Ultra-secure details at ridge and eaves to ensure construction
- AP walk-on liner assists in ease of installation
- A1 fire-rated materials available as BS EN 13501-1
- Up to 40 year warranty available on both the coating and the substrate
- 450mm cover width option provides extremely cost effective construction with 28mm high seam also available
- Can be installed as part of the non-combustible APL EcoClad™ Energi Systems.

Typical APL non-combustible SnapLoc™ roof assembly



APL SnapLoc™

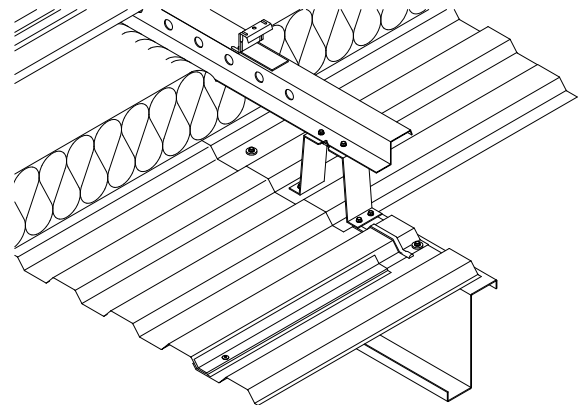




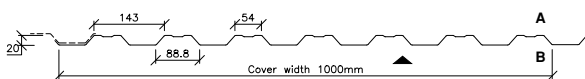
APL Roof Liner Profiles

- Available in steel or aluminium as walk-on type liner
- Interior and exterior polyester coatings
- White as standard colour but other options available
- A1 fire-rated materials to BS EN 1301-1
- Perforated options provide excellent acoustic performance
- Available with FoodSafe finish

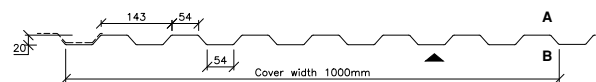
Typical APL roof liner assembly



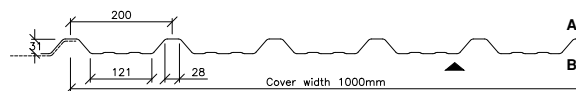
AP 22 HWR 0.7mm - Walk On Liner



AP 22 HW 0.7mm - Walk On Liner



AP 31/1000 LP 0.7mm - Walk On Liner

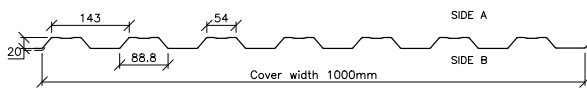




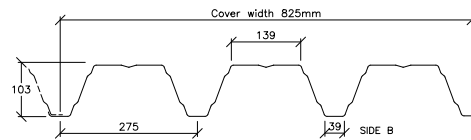
APL Long-Span Structural Decking

- Available in steel or aluminium
- Full project-specific structural calculations available
- Interior and exterior polyester coatings
- White as standard colour but other options available
- A1 fire-rated materials to BS EN 1301-1
- Perforated options provide excellent acoustic performance

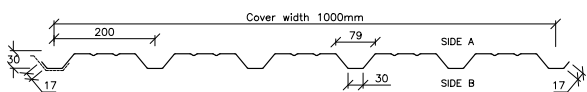
AP 22 HWD



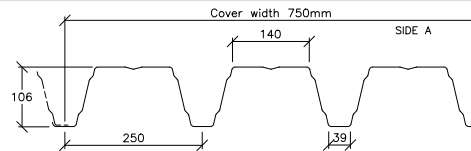
AP 100D



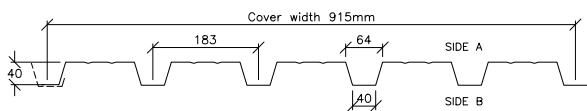
AP 30 DS



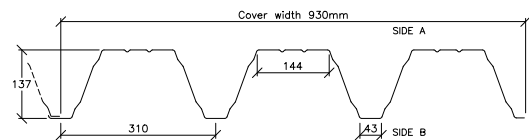
AP 110D



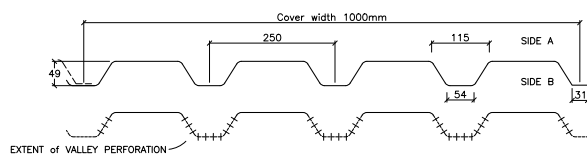
AP 40 D



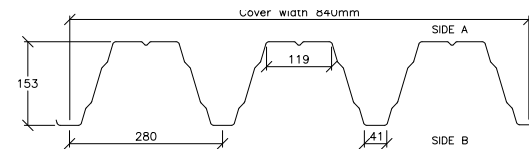
AP 140D



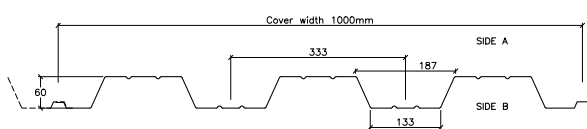
AP 50 D



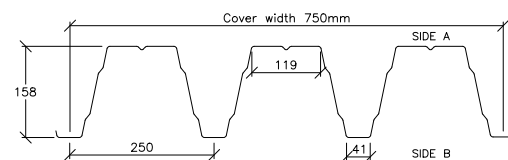
AP 153D



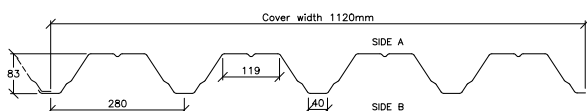
AP 60 D



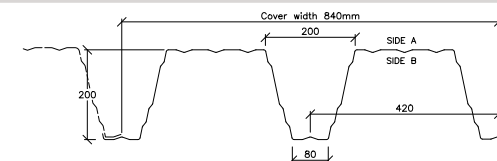
AP 160D



AP 80 D



AP 200D

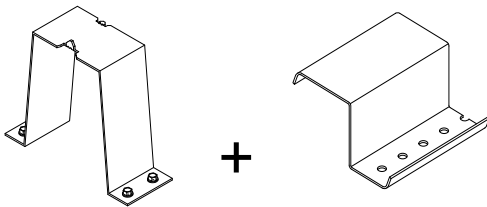




APL Tritherm™ Support Grid

- Roll-formed structural grade steel
- RWB bracket spacings of upto 1.8m (subject to load)
- Specific over-roof brackets available to ensure quick installation and suitable for asbestos roofs
- Web-perforated "Z" rail to improve air-circulation
- PV-support framing clips available
- Can support cantilever of +1500mm

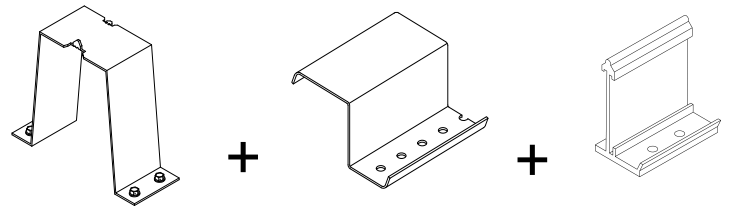
APL Tritherm™ Pierce Fix Roof Components



RWB Roof Bracket

APZ Mini Rail

APL Tritherm™ Standing Seam Components

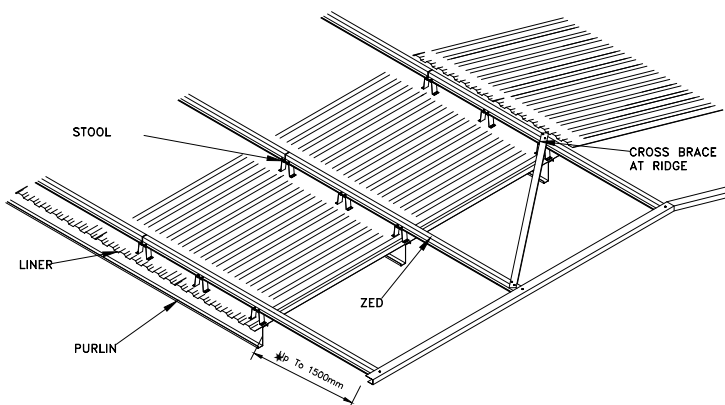


RWB Roof Bracket

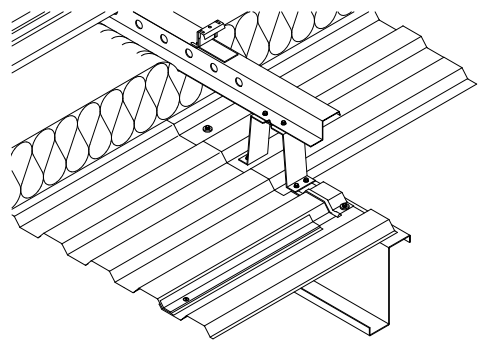
APZ Mini Rail

Halter

APL Tritherm™ +1,500mm Cantilever



Typical APL Tritherm™ Roof Assembly



Who are Architectural Profiles?



- Specialists in complete NON-COMBUSTIBLE “through-wall” and “through-roof” systems
- Established for 40 years
- Systems and constructions fire-tested
- Specified by the UK’s leading architects
- Chosen by the UK’s leading contractors and installers
- Provider of Cladshield - a 25-year fully-installed system warranty
- 55,000 sqft UK manufacturing facility
- Established members of the MCRMA & CWCT
- ISO:9001 & ISO:14001 registered

CUSTOM BESPOKE PANELS & PROFILES • STRONGBAK • MINERAL WOOL COMPOSITE ROOF & WALL PANELS
LOUVRE PROFILE & LIVE LOUVRES • RAINSCREEN & FLAT PANELS • WALL & ROOF PROFILES • APL SNAPLOC
& STANDING SEAM • SOFFITS • ARCHITECTURAL FLASHINGS • FLAT ROOFS DECKINGS



Non-combustible system



25 year fully installed system warranty



Tel: 0118 927 2424 | Email: info@archprof.co.uk | www.archprof.co.uk

Architectural Profiles Limited 53 Crockhamwell Road, Woodley, Reading, Berkshire, RG5 3JP

All systems and products are subject to change. Terms and Conditions available upon request. v3
All SnapLoc images are of profiles produced on a registered SnapLoc machine

Established
35 years, all
manufactured
by us in the UK,
and proud of it!

