

A photograph showing a building facade with dark, horizontal louvre cladding panels. The panels are arranged in a grid pattern, with some sections appearing to be recessed or layered. The background shows a clear blue sky with light clouds.

AP70LCP Louvre Cladding

The logo for Architectural Profiles (APL) is located in the top right corner. It features the letters 'APL' in a large, bold, sans-serif font, with a horizontal line underneath. Below the line, the words 'ARCHITECTURAL PROFILES' are written in a smaller, all-caps, sans-serif font. The logo is set against a dark, metallic background that has a vertical crease and several circular fasteners or rivets.

APL
ARCHITECTURAL PROFILES

A photograph showing a close-up of a building facade. The facade consists of light-colored panels and a large window. Below the window, there is a dark, horizontal louvre profile with integrated live louvres. The louvres are dark and have a ribbed texture. The background shows a cloudy sky and some greenery.

Louvre Profile with Integrated Live Louvres



APL AP70 Louvre Profile & Integrated Live Louvres

AP70LCP is our 'louvre' profile to match traditional operating louvres. Available roll formed in lengths up to 10 metres long, it provides a more economic solution than standard traditional louvre systems with blanking plates.

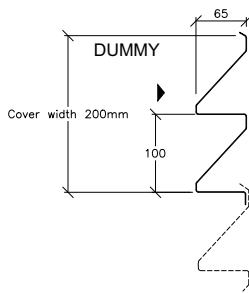
Our 'Live Louvre' systems match and integrate fully with the profiled louvre, single or double bank, and provides approximately 50% free inlet area and installed onto a bespoke matching mullion. Available in aluminium, steel and Cor-Ten, they can be supplied in a wide choice of finishes and colours.

- Exclusive profile shape to create a traditional louvre appearance
- Available with fully integrated 'live louvres' as Single and/or Double Bank types
- Roll formed in lengths up to 10m for less joints and very accurate profiles
- Available in Aluminium, steel and Cor-Ten
- Available perforated as an alternative economic option to live louvres
- Available as a fire-resistance rated insulated system assembly when combined with APL Tritherm™ Spacer System, with simple system upgrades for improved fire resistance performance
- A1 or A2 non-combustible fire-rated materials as standard
- Available in PPC, Armacoil™ HDP, Anodised, APL PUF, PRISMA and LG finishes
- Up to 40 year warranty available on both the coating and the substrate, including for marine environments
- Can be laid both horizontally and vertically
- Live Louvres BSRIA tested (LB4 only)
- System constructions available onto APL StrongBak™, cladding rails, SFS and blockwork

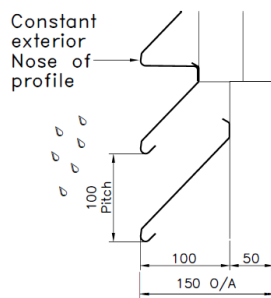




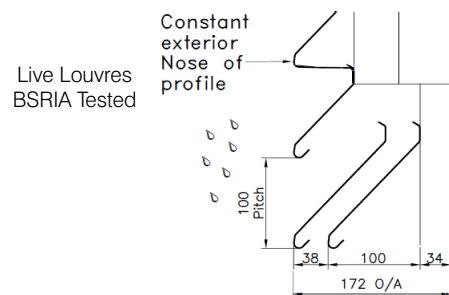
AP70 LCP Louvre Profile



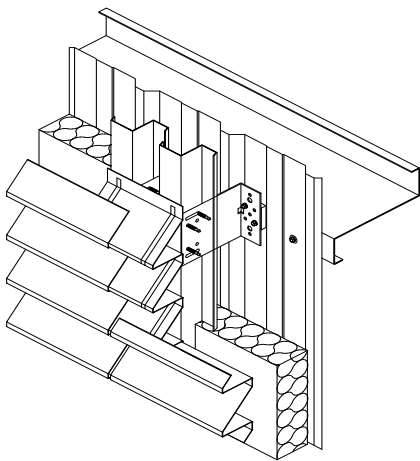
AP LB4 Live Louvre Single Bank



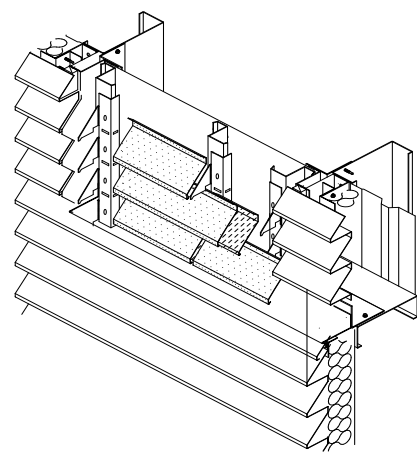
AP LB4 Live Louvre Double Bank



Typical AP 70 LCP Solid Louvre Profile Assembly



Typical AP70 LCP Louvre Profile with Integrated Live Louvres



Who are Architectural Profiles?



- Specialists in complete NON-COMBUSTIBLE “through-wall” and “through-roof” systems
- Established for nearly 40 years
- All systems and constructions fire-tested
- Specified by the UK’s leading Architects and Designers
- Chosen by the UK’s leading contractors and installers
- Provider of Cladshield - a 25-year fully-installed system warranty
- 55,000 sqft UK manufacturing facility
- Established members of the MCRMA & CWCT
- ISO:9001 & ISO:14001 registered

CUSTOM BESPOKE PANELS & PROFILES • STRONGBAK • MINERAL WOOL COMPOSITE ROOF & WALL PANELS
LOUVRE PROFILE & LIVE LOUVRES • RAINSCREEN & FLAT PANELS • WALL & ROOF PROFILES • APL SNAPLOC
& STANDING SEAM • SOFFITS • ARCHITECTURAL FLASHINGS • FLAT ROOF STRUCTURAL DECKINGS



Non-combustible system



25 year fully installed system warranty



Tel: 0118 927 2424 | Email: info@archprof.co.uk | www.archprof.co.uk

Architectural Profiles Limited 53 Crockhamwell Road, Woodley, Reading, Berkshire, RG5 3JP

All systems and products are subject to change. Terms and Conditions available upon request. v4

Established
35 years, all
manufactured
by us in the UK,
and proud of it!

