

AP70LCP

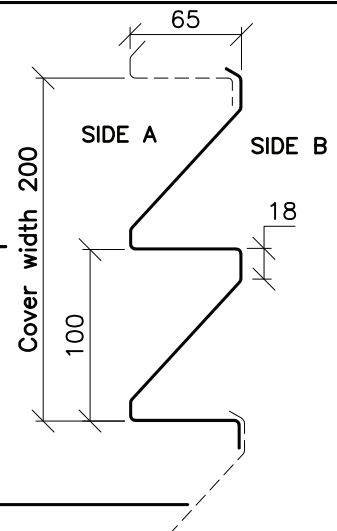
LOUVRE CLADDING

ALUMINIUM PROFILE	
2005	Sheet
CI/SfB 27 Nh4	40.a.4

PROFILE DESCRIPTION

SECTION PROPERTIES

NOMINAL THICKNESS	mm	0.90
LOWER YIELD POINT	N/mm ²	190
MOMENT OF INERTIA	cm ⁴ /m	63.73
WEIGHT INCL. SIDE LAP	kg/m ²	5
MAXIMUM SHEET LENGTH	m	8



SPAN TABLES

(Deflection limited as shown)

Thickness (mm)	Span (m)	Maximum Total Load (kN/m ²)									
		1.2	1.4	1.6	1.8	2.0	2.2	2.4	2.6	2.8	3.0
0.90 POSITIVE	↓(L/120)	12.26	9.01	6.90	4.90	3.57	2.68	2.07	1.62	1.30	1.06
0.90 SUCTION	↑(L/120)	12.26	9.01	6.90	4.90	3.57	2.68	2.07	1.62	1.30	1.06

Thickness (mm)	Span (m)	Maximum Total Load (kN/m ²)									
		1.2	1.4	1.6	1.8	2.0	2.2	2.4	2.6	2.8	3.0
0.90 POSITIVE	↓(L/120)	8.39	6.59	5.32	4.39	3.69	3.14	2.71	2.36	2.08	1.84
0.90 SUCTION	↑(L/120)	12.26	9.01	6.90	5.45	4.41	3.65	3.07	2.61	2.25	1.96

Thickness (mm)	Span (m)	Maximum Total Load (kN/m ²)									
		1.2	1.4	1.6	1.8	2.0	2.2	2.4	2.6	2.8	3.0
0.90 POSITIVE	↓(L/120)	10.03	7.91	6.41	5.30	4.46	3.81	3.29	2.87	2.53	2.25
0.90 SUCTION	↑(L/120)	15.33	11.26	8.62	6.81	5.52	4.56	3.83	3.27	2.82	2.45

Loads are for a minimum support width of 50mm, and are from wind loading only, Higher values may be acceptable under certain conditions.

The normal length of sheet for transport purposes is 8m. Longer lengths can be supplied, subject to negotiations. Please note that all dimensions and thicknesses are nominal as coated and/or as finished, and are subject to coil and manufacturing tolerances.

Please consult our experienced staff for all technical enquires.

Whilst every endeavour is made to keep literature up to date, specifications may change without prior notice due to a policy of continued research and development.

Architectural Profiles Limited cannot be held responsible for the mis-use of span tables and its contents.

E&OE

Architectural Profiles Ltd.

Cockayne House, 126-128 Crockhamwell Road, Woodley, Reading,
Berks. RG5 3JH. Telephone: 0118 927 2424 Fax: 0118 927 2400

