

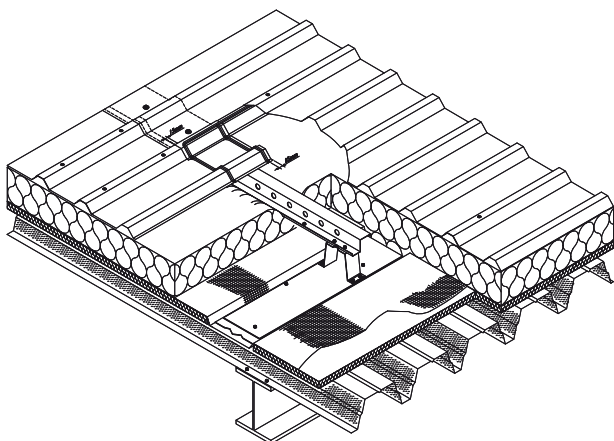


SoundRoof™ Acoustic Roof Assemblies

100% Non-Combustible Construction

- UKAS-tested sound reductions of up to 65 Rw dB
- Low frequency performance of 43 Rw dB at 125Hz
- Perforated options to improve sound absorption performance
- Fully non-combustible construction
- Fire resistance of up to 4 hours
- Available with all APL roofing profiles
- Up to 10m spans for ultra-clean internal appearance with no visible fixings when integrated as part of a StrongBak assembly
- Air tight construction as low as 1.0 m³/m².h

Typical APL Perforated Acoustic Structural Deck Assembly



Typical APL Acoustic Roof Assembly

