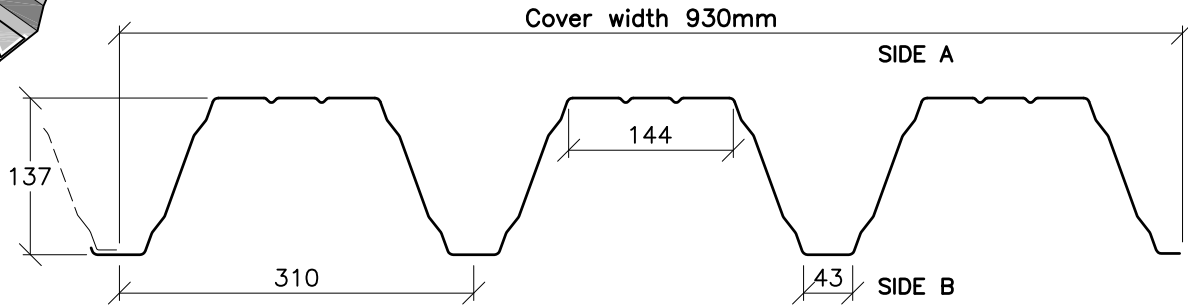


AP140D DECKING

STEEL PROFILE	
2006	Sheet
CI/SfB 27, Nh2	28.s.2

PROFILE DESCRIPTION



SECTION PROPERTIES

NOMINAL THICKNESS	mm	0.75	0.85	1.00	1.25	1.50
LOWER YIELD POINT	N/mm ²	320	320	320	320	320
MOMENT OF INERTIA	cm ⁴ /m	293	343	389	4.84	578
WEIGHT INCL. SIDE LAP	kg/m ²	10	11	13	16	19
MAXIMUM SHEET LENGTH	m	15	15	15	15	15

SPAN TABLES

(Deflection limited to Span/250)

Thk (mm)	Span (m)	Maximum Total Safe Working Load (kN/m ²)																
		2.50	2.75	3.00	3.25	3.50	3.75	4.00	4.25	4.50	4.75	5.00	5.25	5.50	5.75	6.00	6.25	6.50
0.75	▲	3.46	3.14	2.88	2.66	2.47	2.31	2.16	2.03	1.84	1.66	1.51	1.38	1.27	1.17	1.06	0.96	0.87
0.85	▲	5.01	4.55	4.17	3.85	3.58	3.34	3.01	2.68	2.41	2.19	1.96	1.75	1.57	1.41	1.28	1.14	1.01
1.00	▲	6.45	5.86	5.37	4.83	4.61	4.13	3.64	3.25	2.91	2.56	2.27	2.02	1.81	1.63	1.45	1.28	1.14
1.25	▲	11.93	10.84	9.86	8.43	7.16	6.05	5.19	4.49	3.92	3.45	3.06	2.72	2.38	2.09	1.83	1.62	1.44
1.50	▲	17.52	15.64	13.06	10.74	8.97	7.60	6.51	5.64	4.93	4.34	3.83	3.31	2.88	2.52	2.22	1.97	1.75

Thk (mm)	Span (m)	Maximum Total Safe Working Load (kN/m ²)																
		2.50	2.75	3.00	3.25	3.50	3.75	4.00	4.25	4.50	4.75	5.00	5.25	5.50	5.75	6.00	6.25	6.50
0.75	▲▲▲	4.06	3.58	3.18	2.84	2.56	2.32	2.17	2.04	1.93	1.83	1.73	1.65	1.58	1.49	1.37	1.26	1.17
0.85	▲▲▲	5.44	4.79	4.25	3.88	3.60	3.36	3.15	2.96	2.80	2.65	2.44	2.21	2.02	1.85	1.69	1.62	1.55
1.00	▲▲▲	6.64	5.86	5.36	4.96	4.60	4.30	4.02	3.79	3.54	3.18	2.87	2.64	2.49	2.36	2.25	2.07	1.88
1.25	▲▲▲	11.92	10.84	9.92	9.17	8.14	7.09	6.24	5.65	5.27	4.93	4.63	4.23	3.84	3.44	3.09	2.80	2.54
1.50	▲▲▲	17.54	15.93	14.26	12.15	10.49	9.14	8.44	7.83	7.30	6.75	6.09	5.42	4.82	4.32	3.89	3.52	3.20

Loads are for a minimum end support width of 50mm and intermediate support width of 160mm*, and can be from vertical downward loading or wind uplift. Higher values may be acceptable under certain conditions. Walkability must be taken into account when considering maximum span tables.

The normal length of sheet for transport purposes is 15m. Longer lengths can be supplied, subject to negotiations. Please note that all dimensions and thicknesses are nominal as coated and/or as finished, and are subject to coil and manufacturing tolerances.

Please consult our experienced staff for all technical enquiries.

Whilst every endeavour is made to keep literature up to date, specifications may change without prior notice due to a policy of continued research and development.

Architectural Profiles Limited cannot be held responsible for the mis-use of span tables and its contents.

* Lesser support widths are structurally acceptable, but will effect the max permissible spans

E&OE

Architectural Profiles Ltd.

Cockayne House, 126-128 Crockhamwell Road, Woodley, Reading,
Berks. RG5 3JH. Telephone: 0118 927 2424 Fax: 0118 927 2400

