



APL + Automotive



Non-Combustible complete 'through wall' solutions





Various types of profiles and panels have been adopted to support brand identities by automotive manufacturers. From individual dealerships to manufacturers HQ's and manufacturing facilities, APL's non-combustible systems are the choice of all the leading marques - Audi, BMW, Ferrari, Ford, Jaguar Land Rover, Maserati, McLaren, Mercedes, MINI, Porsche, Rolls-Royce, Vauxhall, VW.

Mercedes Benz

For many years APL have supplied the sinusoidal profiles and Slimwall rainscreen products for Mercedes Benz dealerships throughout the UK. The same brand identity has been used on their HQ in Milton Keynes

Porsche

Porsche have specified the APL Slimwall flat panel rainscreen systems and profiles for many years in their signature house colours to meet their corporate identity





Jaguar Land Rover

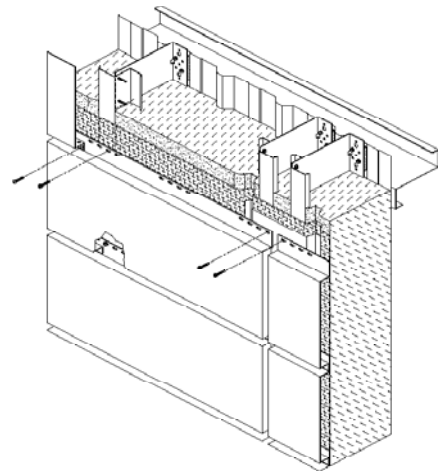
Jaguar Land Rover specify, as part of their Retail Corporate Identity, a mandatory flat rainscreen façade - APL meets this requirement as a bespoke non-combustible Alucobond panel system with exclusive 'cantilever' support framework.

BMW

BMW has used various different materials, the most popular being the APL Louvre cladding and integrated Live Louvres. We have also supplied our StrongBak long-span structural wall framing system that provides a very clean appearance and finish to workshop facilities.

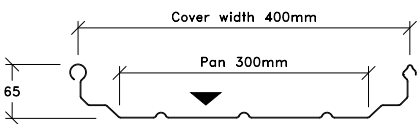
The list goes on - Ferrari, Maserati, McLaren, Audi and VW

Typical Non-Combustible Slimwall Horizontal Assembly

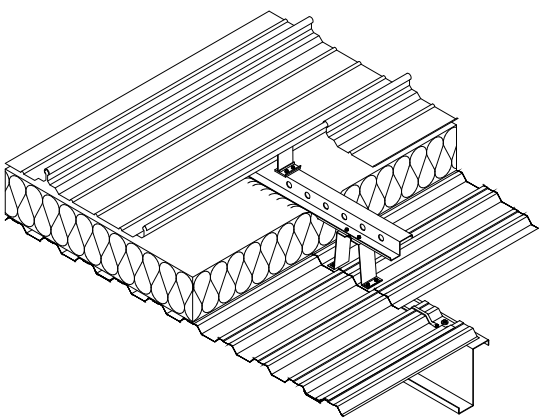




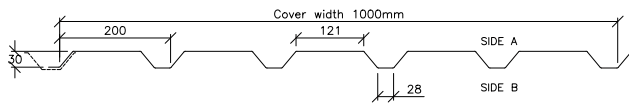
AP 65 ZS 400



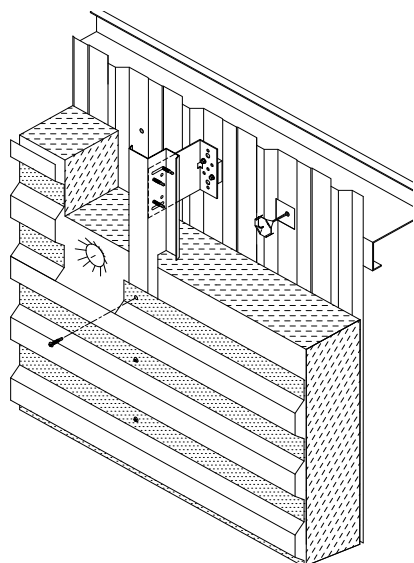
Typical APL non-combustible ZipSeam™ standing seam assembly



AP 30/35W



Typical Non-Combustible Horizontal Profile Assembly



Who are Architectural Profiles?



- Specialists in complete NON-COMBUSTIBLE “through-wall” and “through-roof” systems
- Established for 40 years
- All systems and constructions fire-tested
- Specified by the UK’s leading architects
- Chosen by the UK’s leading contractors and installers
- Provider of Cladshield - a 25-year fully-installed system warranty
- 55,000 sqft UK manufacturing facility
- Established members of the MCRMA & CWCT
- ISO:9001 & ISO:14001 registered

CUSTOM BESPOKE PANELS & PROFILES • STRONGBAK • MINERAL WOOL COMPOSITE ROOF & WALL PANELS
LOUVRE PROFILE & LIVE LOUVRES • RAINSCREEN & FLAT PANELS • WALL & ROOF PROFILES • APL SNAPLOC
& STANDING SEAM • SOFFITS • ARCHITECTURAL FLASHINGS • FLAT ROOFS DECKINGS



Non-combustible system



25 year fully installed system warranty



Official partner of
ALUCOBOND

Tel: 0118 927 2424 | Email: info@archprof.co.uk | www.archprof.co.uk

Architectural Profiles Limited 53 Crockhamwell Road, Woodley, Reading, Berkshire, RG5 3JP

All systems and products are subject to change. Terms and Conditions available upon request. v4

Established
35 years, all
manufactured
by us in the UK,
and proud of it!

