

TRITHERM ROLLFORMED APL SPACER SYSTEM®

STEEL PROFILE	
2013	Sheet
Cl/SfB	84.s.2
27, Nh2,	p1

COMPONENT DESCRIPTION 1

		Refs and Part nos	
AP Z 50		<p>Materials Galvanised Steel 1.5mm thick Fe S280 Hot dip zinc coated galvanizing – to BS/EN 10 147:1992</p> <p>Tritherm spacer system is protected under patent no. 2384792</p> <p>P030 – web perforate (ROOF) P600 – solid web (WALL)</p>	
<p>Jointing splice plates available P601 – fixed joint splice P463 – moving joint splice</p>	TH 50/56 TRACK/TOP HAT	<p><u>Available as</u></p> <p>P090 – un-punched P617 – crown punched P618 – flange punched P619 – crown and flange punched</p>	
	<p>Jointing splice plates P462 – internal crown splice</p>	TH50/120 TRACK/TOP HAT	<p><u>Available as</u></p> <p>P089 – un-punched P620 – crown punched P621 – flange punched P622 – crown and flange punched</p>
	<p>Jointing splice plates P508 – internal crown splice</p>		

Please note that all dimensions and thicknesses are nominal as coated and/or as finished, and are subject to coil and manufacturing tolerances.

Please consult our experienced staff for all technical enquiries.

Whilst every endeavour is made to keep literature up to date, specifications may change without prior notice due to a policy of continued research and development.

Architectural Profiles Limited cannot be held responsible for the mis-use of span tables and its contents. E&OE

Architectural Profiles Ltd.

53 Crockhamwell Road, Woodley, Reading, Berks. RG5 3JP

Telephone: 0118 927 2424 Fax: 0118 927 2400



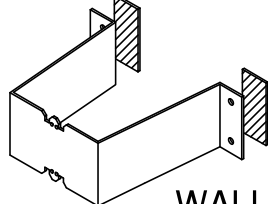
TRITHERM ROLLFORMED APL SPACER SYSTEM®

STEEL PROFILE	
2013	Sheet
Cl/SfB	84.s.2
27, Nh2,	p2

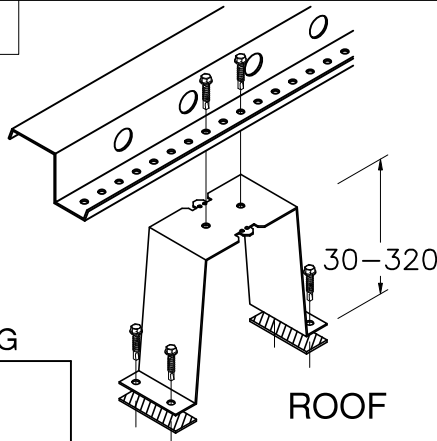
COMPONENT DESCRIPTION 4

P665 RWB BRACKET

Materials Steel 2.0mm thick



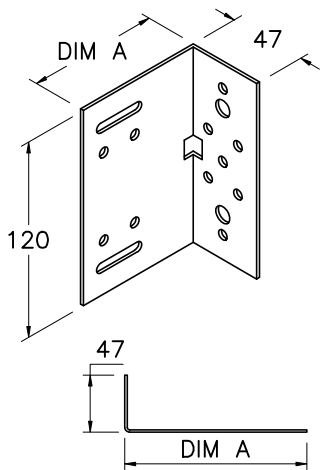
WALL
FOR VERTICAL CLADDING



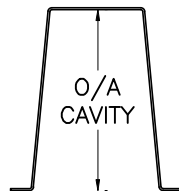
ROOF

P157 HELPING HAND HANDI-BRACKET

FOR HORIZONTAL & VERTICAL
CLADDING



DIM A
33
47
70
90
100
130
150
170
180
200
230
250
280



O/A
CAVITY

REF	CAVITY
P665-ss 30	80
P665-ss 80	130
P665-ss 100	150
P665-ss 130	180
P665-ss 150	200
P665-ss 175	225
P665-ss 200	250
P665-ss 210	260
P665-ss 230	280
P665-ss 250	300
P665-ss 270	320

Refs and Part nos

Materials

Galvanised Steel
Fe S280 Hot dip zinc coated
galvanizing - to BS/EN 10
147:1992

Tritherm spacer system is
protected under patent
no. 2384792

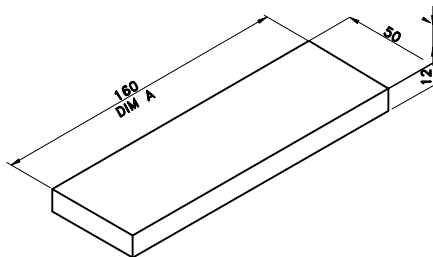
P665 - Roof spacer stool

P157 - wall handi-bracket

sizes available -
33mm to 280mm
Materials Steel 2.0/2.5mm thick

P665 - wall spacer stool

P546 ISO PAD



REF	DIM A
+P546/50	50
+P546/80	80
+P546/160	160

Materials

Non Combustible

sizes available -
See Table

P546 - thermal break pad

Please note that all dimensions and thicknesses are nominal as coated and/or as finished, and are subject to coil and manufacturing tolerances.

Please consult our experienced staff for all technical enquiries.

Whilst every endeavour is made to keep literature up to date, specifications may change without prior notice due to a policy of continued research and development.

Architectural Profiles Limited cannot be held responsible for the mis-use of span tables and its contents. E&OE

Architectural Profiles Ltd.

53 Crockhamwell Road, Woodley, Reading, Berks. RG5 3JP

Telephone: 0118 927 2424 Fax: 0118 927 2400

APL